

# Multilayer Chip Antennas For 2.4GHz

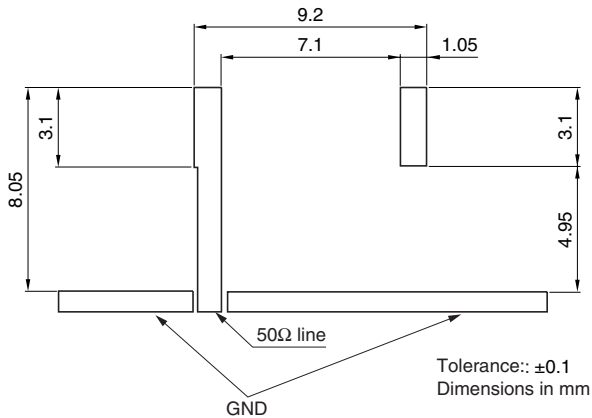
Conformity to RoHS Directive

ANT Series ANT8030-2R4

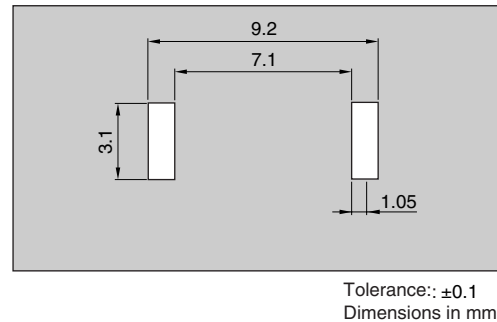
## SHAPES AND DIMENSIONS



## RECOMMENDED PC BOARD PATTERNS ELECTRODE



## SOLDER RESIST

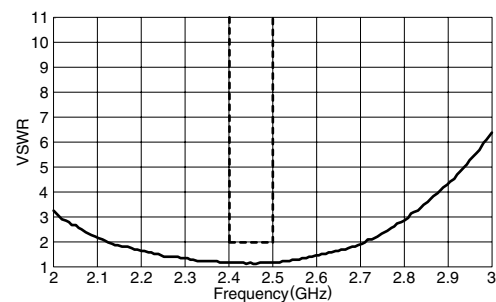


## ELECTRICAL CHARACTERISTICS

Part No.	ANT8030-2R4-01A	
Center frequency	2450MHz	
Band width	100MHz	
Polarization	Linear	
Antenna gain	2dBi max.	
Impedance	50Ω	
VSWR	2max.	
Temperature range	Operating	-30 to +85°C
	Storage	-40 to +85°C

## FREQUENCY CHARACTERISTICS

### VSWR



• Conformity to RoHS Directive: This means that, in conformity with EU Directive 2002/95/EC, lead, cadmium, mercury, hexavalent chromium, and specific bromine-based flame retardants, PBB and PBDE, have not been used, except for exempted applications.

• All specifications are subject to change without notice.

### RADIATION PATTERNS

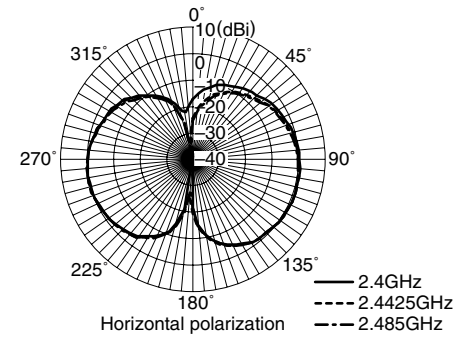
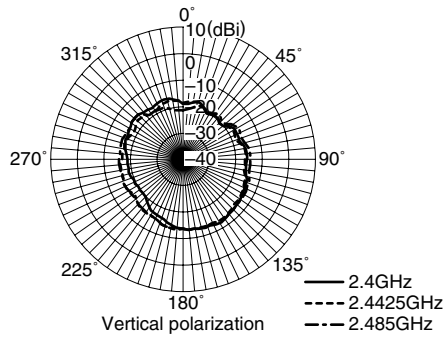
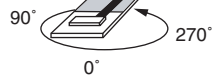
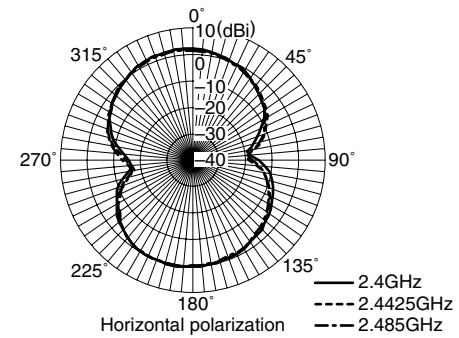
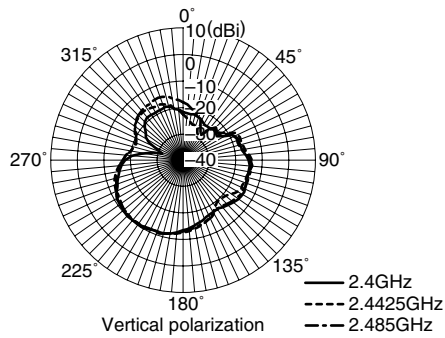
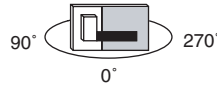
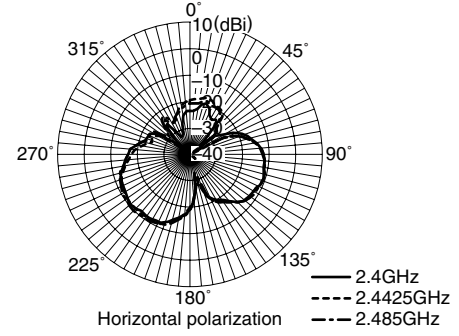
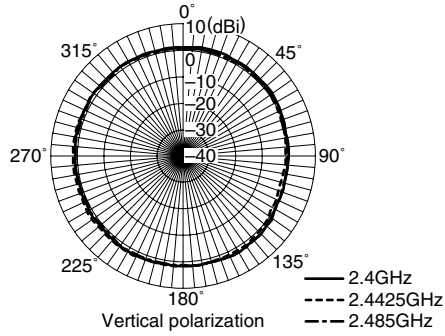
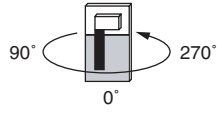
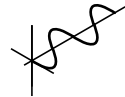
#### ANT8030-2R4-01A

Directivity angle

Vertical polarization



Horizontal polarization



- The radiation pattern is measured by mounting the antenna on 55x20mm TDK STD evaluation base.
- Standard antenna: Standard dipole(Anritsu)  
 Tx antenna: Horn(TECOM)